



COMMONWEALTH OF PENNSYLVANIA  
DEPARTMENT OF ENVIRONMENTAL PROTECTION  
AIR QUALITY PROGRAM

**STATE ONLY SYNTHETIC MINOR OPERATING PERMIT**

Issue Date: October 22, 2024

Effective Date: February 1, 2025

Expiration Date: January 31, 2030

In accordance with the provisions of the Air Pollution Control Act, the Act of January 8, 1960, P.L. 2119, as amended, and 25 Pa. Code Chapter 127, the Owner, [and Operator if noted] (hereinafter referred to as permittee) identified below is authorized by the Department of Environmental Protection (Department) to operate the air emission source(s) more fully described in this permit. This Facility is subject to all terms and conditions specified in this permit. Nothing in this permit relieves the permittee from its obligations to comply with all applicable Federal, State and Local laws and regulations.

The regulatory or statutory authority for each permit condition is set forth in brackets. All terms and conditions in this permit are federally enforceable unless otherwise designated.

**State Only Permit No: 21-05049**

Synthetic Minor

Federal Tax Id - Plant Code: 23-2729496-17

**Owner Information**

Name: PENNSY SUPPLY INC  
Mailing Address: PO BOX 3331  
HARRISBURG, PA 17105-3331

**Plant Information**

Plant: PENNSY SUPPLY INC/PENN TWP QUARRY  
Location: 21 Cumberland County 21922 Penn Township  
SIC Code: 2951 Manufacturing - Asphalt Paving Mixtures And Blocks

**Responsible Official**

Name: KAREN A CUPP  
Title: ENV COMPLIANCE MGR  
Phone: (717) 497 - 4707 Email: karen.cupp@pennsupply.com

**Permit Contact Person**

Name: KAREN A CUPP  
Title: ENV COMPLIANCE MGR  
Phone: (717) 497 - 4707 Email: karen.cupp@pennsupply.com

[Signature] \_\_\_\_\_  
WILLIAM R. WEAVER, SOUTH CENTRAL REGION AIR PROGRAM MANAGER



## SECTION A. Table of Contents

### Section A. Facility/Source Identification

Table of Contents  
Site Inventory List

### Section B. General State Only Requirements

- #001 Definitions.
- #002 Operating Permit Duration.
- #003 Permit Renewal.
- #004 Operating Permit Fees under Subchapter I.
- #005 Transfer of Operating Permits.
- #006 Inspection and Entry.
- #007 Compliance Requirements.
- #008 Need to Halt or Reduce Activity Not a Defense.
- #009 Duty to Provide Information.
- #010 Revising an Operating Permit for Cause.
- #011 Operating Permit Modifications
- #012 Severability Clause.
- #013 De Minimis Emission Increases.
- #014 Operational Flexibility.
- #015 Reactivation of Sources
- #016 Health Risk-based Emission Standards and Operating Practice Requirements.
- #017 Circumvention.
- #018 Reporting Requirements.
- #019 Sampling, Testing and Monitoring Procedures.
- #020 Recordkeeping.
- #021 Property Rights.
- #022 Alternative Operating Scenarios.
- #023 Reporting
- #024 Report Format

### Section C. Site Level State Only Requirements

- C-I: Restrictions
- C-II: Testing Requirements
- C-III: Monitoring Requirements
- C-IV: Recordkeeping Requirements
- C-V: Reporting Requirements
- C-VI: Work Practice Standards
- C-VII: Additional Requirements
- C-VIII: Compliance Certification
- C-IX: Compliance Schedule

### Section D. Source Level State Only Requirements

- D-I: Restrictions
- D-II: Testing Requirements
- D-III: Monitoring Requirements
- D-IV: Recordkeeping Requirements
- D-V: Reporting Requirements
- D-VI: Work Practice Standards
- D-VII: Additional Requirements

Note: These same sub-sections are repeated for each source!

### Section E. Source Group Restrictions

- E-I: Restrictions



## SECTION A. Table of Contents

- E-II: Testing Requirements
- E-III: Monitoring Requirements
- E-IV: Recordkeeping Requirements
- E-V: Reporting Requirements
- E-VI: Work Practice Standards
- E-VII: Additional Requirements

### Section F. Alternative Operating Scenario(s)

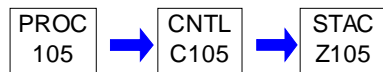
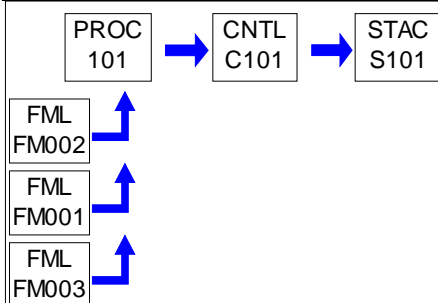
- F-I: Restrictions
- F-II: Testing Requirements
- F-III: Monitoring Requirements
- F-IV: Recordkeeping Requirements
- F-V: Reporting Requirements
- F-VI: Work Practice Standards
- F-VII: Additional Requirements

### Section G. Emission Restriction Summary

### Section H. Miscellaneous

**SECTION A. Site Inventory List**

Source ID	Source Name	Capacity/Throughput	Fuel/Material
101	ASPHALT PLANT W/RAP&SHINGLE HANDLING	480.000 Tons/HR	ASPHALT
105	PORTABLE NONMETALLIC MINERAL PROCESSING PLANT	500.000 Tons/HR	AGGREGATE
C101	ASPHALT PLANT FABRIC FILTER		
C105	WET SUPPRESSION		
FM001	NO. 2 FUEL OIL		
FM002	ON-SPEC USED OIL		
FM003	PROPANE		
S101	C101 FABRIC FILTER STACK		
Z105	PORTABLE PLANT EMISSIONS		

**PERMIT MAPS**

**SECTION B. General State Only Requirements****#001 [25 Pa. Code § 121.1]****Definitions.**

Words and terms that are not otherwise defined in this permit shall have the meanings set forth in Section 3 of the Air Pollution Control Act (35 P.S. § 4003) and in 25 Pa. Code § 121.1.

**#002 [25 Pa. Code § 127.446]****Operating Permit Duration.**

- (a) This operating permit is issued for a fixed term of five (5) years and shall expire on the date specified on Page 1 of this permit.
- (b) The terms and conditions of the expired permit shall automatically continue pending issuance of a new operating permit, provided the permittee has submitted a timely and complete application and paid applicable fees required under 25 Pa. Code Chapter 127, Subchapter I and the Department is unable, through no fault of the permittee, to issue or deny a new permit before the expiration of the previous permit.

**#003 [25 Pa. Code §§ 127.412, 127.413, 127.414, 127.446 & 127.703(b)]****Permit Renewal.**

- (a) The permittee shall submit a timely and complete application for renewal of the operating permit to the appropriate Regional Air Program Manager. The application for renewal of the operating permit shall be submitted at least six (6) months and not more than 18 months before the expiration date of this permit.
- (b) The application for permit renewal shall include the current permit number, a description of any permit revisions that occurred during the permit term, and any applicable requirements that were promulgated and not incorporated into the permit during the permit term. An application is complete if it contains sufficient information to begin processing the application, has the applicable sections completed and has been signed by a responsible official.
- (c) The permittee shall submit with the renewal application a fee for the processing of the application as specified in 25 Pa. Code § 127.703(b). The fees shall be made payable to "The Commonwealth of Pennsylvania Clean Air Fund" and submitted with the fee form to the respective regional office.
- (d) The renewal application shall also include submission of proof that the local municipality and county, in which the facility is located, have been notified in accordance with 25 Pa. Code § 127.413.
- (e) The application for renewal of the operating permit shall also include submission of supplemental compliance review forms in accordance with the requirements of 25 Pa. Code § 127.412(b) and § 127.412(j).
- (f) The permittee, upon becoming aware that any relevant facts were omitted or incorrect information was submitted in the permit application, shall promptly submit such supplementary facts or corrected information as necessary to address any requirements that become applicable to the source after the permittee submits a complete application, but prior to the date the Department takes action on the permit application.

**#004 [25 Pa. Code § 127.703]****Operating Permit Fees under Subchapter I.**

- (a) The permittee shall pay the annual operating permit maintenance fee according to the following fee schedule in either paragraph (1) or (2) in accordance with 25 Pa. Code § 127.703(d) on or before December 31 of each year for the next calendar year.
- (1) For a synthetic minor facility, a fee equal to:
- (i) Four thousand dollars (\$4,000) for calendar years 2021—2025.
  - (ii) Five thousand dollars (\$5,000) for calendar years 2026—2030.
  - (iii) Six thousand three hundred dollars (\$6,300) for the calendar years beginning with 2031.

**SECTION B. General State Only Requirements**

(2) For a facility that is not a synthetic minor, a fee equal to:

- (i) Two thousand dollars (\$2,000) for calendar years 2021—2025.
- (ii) Two thousand five hundred dollars (\$2,500) for calendar years 2026—2030.
- (iii) Three thousand one hundred dollars (\$3,100) for the calendar years beginning with 2031.

(b) The applicable fees shall be made payable to "The Commonwealth of Pennsylvania Clean Air Fund" with the permit number clearly indicated and submitted to the respective regional office.

**#005 [25 Pa. Code §§ 127.450 (a)(4) and 127.464]****Transfer of Operating Permits.**

(a) This operating permit may not be transferred to another person, except in cases of transfer-of-ownership that are documented and approved by the Department.

(b) In accordance with 25 Pa. Code § 127.450(a)(4), a change in ownership of the source shall be treated as an administrative amendment if the Department determines that no other change in the permit is required and a written agreement has been submitted to the Department identifying the specific date of the transfer of permit responsibility, coverage and liability between the current and the new permittee and a compliance review form has been submitted to, and the permit transfer has been approved by, the Department.

(c) This operating permit is valid only for those specific sources and the specific source locations described in this permit.

**#006 [25 Pa. Code § 127.441 and 35 P.S. § 4008]****Inspection and Entry.**

(a) Upon presentation of credentials and other documents as may be required by law, the permittee shall allow the Department or authorized representatives of the Department to perform the following:

(1) Enter at reasonable times upon the permittee's premises where a source is located or emissions related activity is conducted, or where records are kept under the conditions of this permit;

(2) Have access to and copy, at reasonable times, any records that are kept under the conditions of this permit;

(3) Inspect at reasonable times, any facilities, equipment including monitoring and air pollution control equipment, practices, or operations regulated or required under this permit;

(4) Sample or monitor, at reasonable times, any substances or parameters, for the purpose of assuring compliance with the permit or applicable requirements as authorized by the Clean Air Act, the Air Pollution Control Act, or the regulations promulgated under the Acts.

(b) Pursuant to 35 P.S. § 4008, no person shall hinder, obstruct, prevent or interfere with the Department or its personnel in the performance of any duty authorized under the Air Pollution Control Act or regulations adopted thereunder including denying the Department access to a source at this facility. Refusal of entry or access may constitute grounds for permit revocation and assessment of criminal and/or civil penalties.

(c) Nothing in this permit condition shall limit the ability of the EPA to inspect or enter the premises of the permittee in accordance with Section 114 or other applicable provisions of the Clean Air Act.

**#007 [25 Pa. Code §§ 127.441 & 127.444]****Compliance Requirements.**

(a) The permittee shall comply with the conditions of this operating permit. Noncompliance with this permit constitutes a violation of the Clean Air Act and the Air Pollution Control Act and is grounds for one or more of the following:

**SECTION B. General State Only Requirements**

- (1) Enforcement action
- (2) Permit termination, revocation and reissuance or modification
- (3) Denial of a permit renewal application

(b) A person may not cause or permit the operation of a source which is subject to 25 Pa. Code Article III unless the source(s) and air cleaning devices identified in the application for the plan approval and operating permit and the plan approval issued for the source is operated and maintained in accordance with specifications in the applications and the conditions in the plan approval and operating permit issued by the Department. A person may not cause or permit the operation of an air contamination source subject to 25 Pa. Code Chapter 127 in a manner inconsistent with good operating practices.

(c) For purposes of Sub-condition (b) of this permit condition, the specifications in applications for plan approvals and operating permits are the physical configurations and engineering design details which the Department determines are essential for the permittee's compliance with the applicable requirements in this State-Only permit. Nothing in this sub-condition shall be construed to create an independent affirmative duty upon the permittee to obtain a predetermination from the Department for physical configuration or engineering design detail changes made by the permittee.

**#008 [25 Pa. Code § 127.441]****Need to Halt or Reduce Activity Not a Defense.**

It shall not be a defense for the permittee in an enforcement action that it was necessary to halt or reduce the permitted activity in order to maintain compliance with the conditions of this permit.

**#009 [25 Pa. Code §§ 127.442(a) & 127.461]****Duty to Provide Information.**

(a) The permittee shall submit reports to the Department containing information the Department may prescribe relative to the operation and maintenance of each source at the facility.

(b) The permittee shall furnish to the Department, in writing, information that the Department may request to determine whether cause exists for modifying, revoking and reissuing, or terminating this permit, or to determine compliance with the permit. Upon request, the permittee shall also furnish to the Department copies of records that the permittee is required to maintain in accordance with this permit.

**#010 [25 Pa. Code § 127.461]****Revising an Operating Permit for Cause.**

This operating permit may be terminated, modified, suspended or revoked and reissued if one or more of the following applies:

- (1) The permittee constructs or operates the source subject to the operating permit so that it is in violation of the Air Pollution Control Act, the Clean Air Act, the regulations thereunder, a plan approval, a permit or in a manner that causes air pollution.
- (2) The permittee fails to properly or adequately maintain or repair an air pollution control device or equipment attached to or otherwise made a part of the source.
- (3) The permittee has failed to submit a report required by the operating permit or an applicable regulation.
- (4) The EPA determines that the permit is not in compliance with the Clean Air Act or the regulations thereunder.

**#011 [25 Pa. Code §§ 127.450, 127.462, 127.465 & 127.703]****Operating Permit Modifications**

(a) The permittee is authorized to make administrative amendments, minor operating permit modifications and significant operating permit modifications, under this permit, as outlined below:

**SECTION B. General State Only Requirements**

(b) Administrative Amendments. The permittee shall submit the application for administrative operating permit amendments (as defined in 25 Pa. Code § 127.450(a)), according to procedures specified in § 127.450 unless precluded by the Clean Air Act or its regulations.

(c) Minor Operating Permit Modifications. The permittee shall submit the application for minor operating permit modifications (as defined 25 Pa. Code § 121.1) in accordance with 25 Pa. Code § 127.462.

(d) Significant Operating Permit Modifications. The permittee shall submit the application for significant operating permit modifications in accordance with 25 Pa. Code § 127.465.

(e) The applicable fees shall be made payable to "The Commonwealth of Pennsylvania Clean Air Fund" with the permit number clearly indicated and submitted to the respective regional office.

**#012 [25 Pa. Code § 127.441]****Severability Clause.**

The provisions of this permit are severable, and if any provision of this permit is determined by a court of competent jurisdiction to be invalid or unenforceable, such a determination will not affect the remaining provisions of this permit.

**#013 [25 Pa. Code § 127.449]****De Minimis Emission Increases.**

(a) This permit authorizes de minimis emission increases in accordance with 25 Pa. Code § 127.449 so long as the permittee provides the Department with seven (7) days prior written notice before commencing any de minimis emissions increase. The written notice shall:

(1) Identify and describe the pollutants that will be emitted as a result of the de minimis emissions increase.

(2) Provide emission rates expressed in tons per year and in terms necessary to establish compliance consistent with any applicable requirement.

(b) The Department may disapprove or condition de minimis emission increases at any time.

(c) Except as provided below in (d), the permittee is authorized to make de minimis emission increases (expressed in tons per year) up to the following amounts without the need for a plan approval or prior issuance of a permit modification:

(1) Four tons of carbon monoxide from a single source during the term of the permit and 20 tons of carbon monoxide at the facility during the term of the permit.

(2) One ton of NO<sub>x</sub> from a single source during the term of the permit and 5 tons of NO<sub>x</sub> at the facility during the term of the permit.

(3) One and six-tenths tons of the oxides of sulfur from a single source during the term of the permit and 8.0 tons of oxides of sulfur at the facility during the term of the permit.

(4) Six-tenths of a ton of PM<sub>10</sub> from a single source during the term of the permit and 3.0 tons of PM<sub>10</sub> at the facility during the term of the permit. This shall include emissions of a pollutant regulated under Section 112 of the Clean Air Act unless precluded by the Clean Air Act, the regulations thereunder or 25 Pa. Code Article III.

(5) One ton of VOCs from a single source during the term of the permit and 5.0 tons of VOCs at the facility during the term of the permit. This shall include emissions of a pollutant regulated under Section 112 of the Clean Air Act unless precluded by the Clean Air Act, the regulations thereunder or 25 Pa. Code Article III.

(6) Other sources and classes of sources determined to be of minor significance by the Department.

(d) In accordance with § 127.14, the permittee is authorized to install the following minor sources without the need for a plan approval or permit modification:



**SECTION B. General State Only Requirements**

- (1) Air conditioning or ventilation systems not designed to remove pollutants generated or released from other sources.
  - (2) Combustion units rated at 2,500,000 or less Btu per hour of heat input.
  - (3) Combustion units with a rated capacity of less than 10,000,000 Btu per hour heat input fueled by natural gas supplied by a public utility or by commercial fuel oils which are No. 2 or lighter, viscosity less than or equal to 5.82 c St, and which meet the sulfur content requirements of 25 Pa. Code §123.22 (relating to combustion units). For purposes of this permit, commercial fuel oil shall be virgin oil which has no reprocessed, recycled or waste material added.
  - (4) Space heaters which heat by direct heat transfer.
  - (5) Laboratory equipment used exclusively for chemical or physical analysis.
  - (6) Other sources and classes of sources determined to be of minor significance by the Department.
- (e) This permit does not authorize de minimis emission increases if the emissions increase would cause one or more of the following:
- (1) Increase the emissions of a pollutant regulated under Section 112 of the Clean Air Act except as authorized in Subparagraphs (c)(4) and (5) of this permit condition.
  - (2) Subject the facility to the prevention of significant deterioration requirements in 25 Pa. Code Chapter 127, Subchapter D and/or the new source review requirements in Subchapter E.
  - (3) Violate any applicable requirement of this permit, the Air Pollution Control Act, the Clean Air Act, or the regulations promulgated under either of the acts.
- (f) Emissions authorized under this permit condition shall be included in the monitoring, recordkeeping and reporting requirements of this permit.
- (g) Except for de minimis emission increases, installation of minor sources made pursuant to this permit condition and Plan Approval Exemptions under 25 Pa. Code § 127.14 (relating to exemptions), the permittee is prohibited from making changes or engaging in activities that are not specifically authorized under this permit without first applying for a plan approval. In accordance with § 127.14(b), a plan approval is not required for the construction, modification, reactivation, or installation of the sources creating the de minimis emissions increase.
- (h) The permittee may not meet de minimis emission threshold levels by offsetting emission increases or decreases at the same source.

**#014 [25 Pa. Code § 127.3]****Operational Flexibility.**

The permittee is authorized to make changes within the facility in accordance with the regulatory provisions outlined in 25 Pa. Code § 127.3 (relating to operational flexibility) to implement the operational flexibility requirements provisions authorized under Section 6.1(i) of the Air Pollution Control Act and the operational flexibility terms and conditions of this permit. The provisions in 25 Pa. Code Chapter 127 which implement the operational flexibility requirements include the following:

- (1) Section 127.14 (relating to exemptions)
- (2) Section 127.447 (relating to alternative operating scenarios)
- (3) Section 127.448 (relating to emissions trading at facilities with Federally enforceable emissions caps)
- (4) Section 127.449 (relating to de minimis emission increases)
- (5) Section 127.450 (relating to administrative operating permit amendments)

**SECTION B. General State Only Requirements**

(6) Section 127.462 (relating to minor operating permit modifications)

(7) Subchapter H (relating to general plan approvals and general operating permits)

**#015 [25 Pa. Code § 127.11a]****Reactivation of Sources**

(a) The permittee may not reactivate a source that has been out of operation or production for at least one year unless the reactivation is conducted in accordance with a plan approval granted by the Department or in accordance with reactivation and maintenance plans developed and approved by the Department in accordance with 25 Pa. Code § 127.11a(a).

(b) A source which has been out of operation or production for more than five (5) years but less than 10 years may be reactivated and will not be considered a new source if the permittee satisfies the conditions specified in 25 Pa. Code § 127.11a(b).

**#016 [25 Pa. Code § 127.36]****Health Risk-based Emission Standards and Operating Practice Requirements.**

(a) When needed to protect public health, welfare and the environment from emissions of hazardous air pollutants from new and existing sources, the permittee shall comply with the health risk-based emission standards or operating practice requirements imposed by the Department, except as precluded by §§ 6.6(d)(2) and (3) of the Air Pollution Control Act [35 P.S. § 4006.6(d)(2) and (3)].

(b) A person challenging a performance or emission standard established by the Department has the burden to demonstrate that performance or emission standard does not meet the requirements of Section 112 of the Clean Air Act.

**#017 [25 Pa. Code § 121.9]****Circumvention.**

No person may permit the use of a device, stack height which exceeds good engineering practice stack height, dispersion technique or other technique which, without resulting in reduction of the total amount of air contaminants emitted, conceals or dilutes an emission of air contaminants which would otherwise be in violation of 25 Pa. Code Article III, except that with prior approval of the Department, the device or technique may be used for control of malodors.

**#018 [25 Pa. Code §§ 127.402(d) & 127.442]****Reporting Requirements.**

(a) The permittee shall comply with the applicable reporting requirements of the Clean Air Act, the regulations thereunder, the Air Pollution Control Act and 25 Pa. Code Article III including Chapters 127, 135 and 139.

(b) The permittee shall submit reports to the Department containing information the Department may prescribe relative to the operation and maintenance of any air contamination source.

(c) Reports, test data, monitoring data, notifications and requests for renewal of the permit shall be submitted to the:

Regional Air Program Manager  
PA Department of Environmental Protection  
(At the address given in the permit transmittal letter, or otherwise notified)

(d) Any records or information including applications, forms, or reports submitted pursuant to this permit condition shall contain a certification by a responsible official as to truth, accuracy and completeness. The certifications submitted under this permit shall require a responsible official of the facility to certify that based on information and belief formed after reasonable inquiry, the statements and information in the documents are true, accurate and complete.

(e) Any records, reports or information submitted to the Department shall be available to the public except for such

**SECTION B. General State Only Requirements**

records, reports or information which meet the confidentiality requirements of § 4013.2 of the Air Pollution Control Act and §§ 112(d) and 114(c) of the Clean Air Act. The permittee may not request a claim of confidentiality for any emissions data generated for the facility.

**#019 [25 Pa. Code §§ 127.441(c) & 135.5]****Sampling, Testing and Monitoring Procedures.**

(a) The permittee shall comply with the monitoring, recordkeeping or reporting requirements of 25 Pa. Code Chapter 139 and the other applicable requirements of 25 Pa. Code Article III and additional requirements related to monitoring, reporting and recordkeeping required by the Clean Air Act and the regulations thereunder including the Compliance Assurance Monitoring requirements of 40 CFR Part 64, where applicable.

(b) Unless alternative methodology is required by the Clean Air Act and regulations adopted thereunder, sampling, testing and monitoring required by or used by the permittee to demonstrate compliance with any applicable regulation or permit condition shall be conducted in accordance with the requirements of 25 Pa. Code Chapter 139.

**#020 [25 Pa. Code §§ 127.441(c) and 135.5]****Recordkeeping.**

(a) The permittee shall maintain and make available, upon request by the Department, the following records of monitored information:

- (1) The date, place (as defined in the permit) and time of sampling or measurements.
- (2) The dates the analyses were performed.
- (3) The company or entity that performed the analyses.
- (4) The analytical techniques or methods used.
- (5) The results of the analyses.
- (6) The operating conditions as existing at the time of sampling or measurement.

(b) The permittee shall retain records of any required monitoring data and supporting information for at least five (5) years from the date of the monitoring, sample, measurement, report or application. Supporting information includes the calibration data and maintenance records and original strip-chart recordings for continuous monitoring instrumentation, and copies of reports required by the permit.

(c) The permittee shall maintain and make available to the Department upon request, records including computerized records that may be necessary to comply with the reporting, recordkeeping and emission statement requirements in 25 Pa. Code Chapter 135 (relating to reporting of sources). In accordance with 25 Pa. Code Chapter 135, § 135.5, such records may include records of production, fuel usage, maintenance of production or pollution control equipment or other information determined by the Department to be necessary for identification and quantification of potential and actual air contaminant emissions.

**#021 [25 Pa. Code § 127.441(a)]****Property Rights.**

This permit does not convey any property rights of any sort, or any exclusive privileges.

**#022 [25 Pa. Code § 127.447]****Alternative Operating Scenarios.**

The permittee is authorized to make changes at the facility to implement alternative operating scenarios identified in this permit in accordance with 25 Pa. Code § 127.447.

**SECTION B. General State Only Requirements****#023 [25 Pa. Code §135.3]****Reporting**

(a) If the facility is a Synthetic Minor Facility, the permittee shall submit by March 1 of each year an annual emissions report for the preceding calendar year. The report shall include information for all active previously reported sources, new sources which were first operated during the preceding calendar year, and sources modified during the same period which were not previously reported. All air emissions from the facility should be estimated and reported.

(b) A source owner or operator of a Synthetic Minor Facility may request an extension of time from the Department for the filing of an annual emissions report, and the Department may grant the extension for reasonable cause.

**#024 [25 Pa. Code §135.4]****Report Format**

If applicable, the emissions reports shall contain sufficient information to enable the Department to complete its emission inventory. Emissions reports shall be made by the source owner or operator in a format specified by the Department.

**SECTION C. Site Level Requirements****I. RESTRICTIONS.****Emission Restriction(s).****# 001 [25 Pa. Code §123.1]****Prohibition of certain fugitive emissions**

No person shall permit the emission into the outdoor atmosphere of any fugitive air contaminant from a source other than the following:

- (a) Construction or demolition of buildings or structures.
- (b) Grading, paving and maintenance of roads and streets.
- (c) Use of roads and streets. Emissions from material in or on trucks, railroad cars and other vehicular equipment are not considered as emissions from use of roads and streets.
- (d) Clearing of land.
- (e) Stockpiling of materials.
- (f) Open burning operations.
- (g) Sources and classes of sources other than those identified above, for which the operator has obtained a determination from the Department that fugitive emissions from the source, after appropriate control, meet the following requirements:
  - 1) the emissions are of minor significance with respect to causing air pollution;
  - 2) the emissions are not preventing or interfering with the attainment or maintenance of any ambient air standard.

**# 002 [25 Pa. Code §123.2]****Fugitive particulate matter**

No person shall permit the emission of particulate matter into the outdoor atmosphere from a source specified in Section C, Condition 001 if the emissions are visible at the point the emissions pass outside the person's property.

**# 003 [25 Pa. Code §123.31]****Limitations**

No person shall permit the emission into the outdoor atmosphere of any malodorous air contaminants from any source in such a manner that the malodors are detectable outside the property of the person on whose land the source is being operated.

**# 004 [25 Pa. Code §123.41]****Limitations**

No person shall permit the emission into the outdoor atmosphere of visible air contaminants in such a manner that the opacity of the emission is either of the following:

- (1) Equal to or greater than 20% for a period or periods aggregating more than three minutes in any 1 hour.
- (2) Equal to or greater than 60 % at any time.

**# 005 [25 Pa. Code §123.42]****Exceptions**

The emission limitations of Section 123.41 shall not apply when:

- (1) The presence of uncombined water vapor is the only reason for failure of the emission to meet the limitations;
- (2) The emission results from the operation of equipment used solely to train and test persons in observing the opacity of visible emissions;
- (3) The emission results from sources specified in Section C, Condition 001 (relating to prohibition of certain fugitive emissions).

**SECTION C. Site Level Requirements****# 006 [25 Pa. Code §127.441]****Operating permit terms and conditions.**

The permittee shall limit the facility's total actual emissions below the following levels to maintain the facility's Title V synthetic minor status:

- (a) 100 tons/year of sulfur oxides
- (b) 100 tons/year of nitrogen oxides
- (c) 100 tons/year of carbon monoxide
- (d) 100 tons/year of PM-10 or PM-2.5 (particulate matter with an effective aerodynamic diameter of less than or equal to a nominal 10 or 2.5 micrometer body as measured by the applicable reference method or an equal method)
- (e) 50 tons/year of volatile organic compounds
- (f) 10 tons/year of any individual hazardous air pollutant
- (g) 25 tons/year of total combined hazardous air pollutants

The above emission limits are based upon a 12-month rolling average and apply to each consecutive 12-month period. Compliance verification requires emissions to be calculated for each month and each consecutive 12-month period. Calculation records shall be maintained on-site for the most recent five-year period and made available to Department representatives upon request.

**# 007 [25 Pa. Code §129.14]****Open burning operations**

(a) No person shall conduct the open burning of materials in such a manner that:

- (1) The emissions are visible, at any time, at the point such emissions pass outside the property of the person on whose land the open burning is being conducted.
- (2) Malodorous air contaminants from the open burning are detectable outside the property of the person on whose land the open burning is being conducted.
- (3) The emissions interfere with the reasonable enjoyment of life and property.
- (4) The emissions cause damage to vegetation or property.
- (5) The emissions are or may be deleterious to human or animal health.

(b) The requirements of Section (a), above, do not apply when the open burning operations result from:

- (1) A fire set to prevent or abate a fire hazard, when approved by the Department and set by or under the supervision of a public officer.
- (2) A fire set for the purpose of instructing personnel in fire fighting, when approved by the Department.
- (3) A fire set for the prevention and control of disease or pests, when approved by the Department.
- (4) A fire set solely for recreational or ceremonial purposes.
- (5) A fire set solely for cooking food.

**SECTION C. Site Level Requirements**

(c) This permit does not constitute authorization to burn solid waste pursuant to Section 610 (3) of the Solid Waste Management Act, 35 P.S. Section 6018.610 (3), or any other provision of the Solid Waste Management Act.

**II. TESTING REQUIREMENTS.****# 008 [25 Pa. Code §123.43]****Measuring techniques**

Visible emissions (referenced in Section C, Conditions 004, 005 and 011) may be measured using either of the following:

- (1) A device approved by the Department and maintained to provide accurate opacity measurements.
- (2) Observers, trained and certified in EPA Method 9, to measure plume opacity with the naked eye or with the aid of any devices approved by the Department.

**# 009 [25 Pa. Code §127.441]****Operating permit terms and conditions.**

The Department reserves the right to require exhaust stack testing of the sources and control devices referenced in this permit to measure emissions for purposes including verification of permit condition compliance and estimation of annual air emissions.

**# 010 [25 Pa. Code §139.1]****Sampling facilities.**

Upon the request of the Department, the permittee shall provide adequate sampling ports, safe sampling platforms and adequate utilities for the performance by the Department of tests on such sources. In the request, the Department will set forth the time period in which the facilities shall be provided, as well as the specifications for the facilities.

**III. MONITORING REQUIREMENTS.****# 011 [25 Pa. Code §127.441]****Operating permit terms and conditions.**

The permittee shall conduct a weekly inspection around the plant periphery during daylight hours when the plant is in production to detect visible stack emissions, visible emissions leaving the premises and odorous air emissions as follows:

- (a) Stack emissions in excess of the limits stated in Section C, Condition 004. Visible stack emissions may be measured according to the methods specified in Section C, Condition 008, or alternatively, plant personnel who observe visible stack emissions may report the incidence of visible stack emissions to the Department within two (2) hours of the incident and make arrangements for a certified observer to measure the visible stack emissions.
- (b) The presence of visible emissions beyond the plant boundaries as stated in Section C, Condition 002.
- (c) The presence of odorous air emissions beyond the plant boundaries as stated in Section C, Condition 003.

**IV. RECORDKEEPING REQUIREMENTS.****# 012 [25 Pa. Code §127.441]****Operating permit terms and conditions.**

The permittee shall maintain a record of each weekly inspection conducted in accordance with Section C, Condition 011. At a minimum, these records shall include the following information:

- (1) The name of the company representative conducting each inspection.
- (2) The date and time of each inspection.
- (3) The wind direction during each inspection.

**SECTION C. Site Level Requirements**

(4) A description of the emissions and/or malodors observed and the actions taken to mitigate them.

**V. REPORTING REQUIREMENTS.****# 013 [25 Pa. Code §127.442]****Reporting requirements.**

The permittee shall report malfunctions which occur at the facility to the Department. A malfunction is any sudden, infrequent, and not reasonably preventable failure of air pollution control equipment, process equipment, or a process to operate in a normal or usual manner that may result in an increase in air emissions above minor significance. Failures that are caused in part by poor maintenance or careless operation are not malfunctions. Malfunctions shall be reported as follows:

(a) Malfunctions which pose an imminent danger to public health, safety, welfare and the environment, shall be immediately reported to the Department by telephone. The telephone report of such malfunctions shall occur no later than two hours after discovery of the incident. Telephone reports can be made to the Air Quality Program at (717) 705-4702 during normal business hours, or to the Department's Emergency Hotline 866-825-0208 at any time. The Emergency Hotline phone number is changed/updated periodically. The current Emergency Hotline phone number can be found at <https://www.dep.pa.gov/About/Regional/SouthcentralRegion/Pages/default.aspx>.

- (1) The notice shall describe the:
- (i) name and location of the facility;
  - (ii) nature and cause of the malfunction or breakdown;
  - (iii) time when the malfunction or breakdown was first observed;
  - (iv) expected duration of excess emissions; and
  - (v) estimated rate of emissions.

(2) The owner or operator shall notify the Department immediately when corrective measures have been accomplished.

(3) The permittee shall submit a written report of instances of such malfunctions to the department, in writing, within three (3) days of the of the telephone report.

(4) The owner or operator shall submit reports on the operation and maintenance of the source to the Regional Air Program Manager at such intervals and in such form and detail as may be required by the Department. Information required in the reports may include, but is not limited to, process weight rates, firing rates, hours of operation, and maintenance schedules.

(b) Unless otherwise required by this permit, any other malfunction that is not subject to the reporting requirements of (a) above, shall be reported to the Department, in writing, within five (5) days of discovery of the malfunction.

(c) Unless otherwise approved by DEP, all malfunctions shall be reported through the Department's Greenport PUP system available through:

<https://greenport.pa.gov/ePermitPublicAccess/PublicSubmission/Home>

**# 014 [25 Pa. Code §135.3]****Reporting**

The permittee shall submit an annual emissions inventory report to the Department that includes the following:

- (a) monthly fuel consumption for each fuel type
- (b) monthly asphalt production
- (c) annual emissions of each of the pollutants listed in Section C, Condition 006

The report for each January 1st through December 31st period is due no later than March 1st of the following year for each year authorized by the operating permit or its renewal.



**SECTION C. Site Level Requirements**

The permittee may request an extension of time from the Department for the filing of the annual report specified above and the Department may grant the extension for reasonable cause.

The annual emissions statement (AES report) shall be submitted to the Air Quality District Supervisor, electronically via AES Online, through the Department's GreenPort website:  
<https://www.depgreenport.state.pa.us>

**VI. WORK PRACTICE REQUIREMENTS.****# 015 [25 Pa. Code §123.1]****Prohibition of certain fugitive emissions**

The permittee shall take all reasonable actions to prevent particulate matter from the sources identified in Section C, Condition 001 (a) through (e) from becoming airborne. The actions shall include, but are not limited to, the following:

- (1) Use, where possible, of water or chemicals for control of dust in the demolition of buildings or structures, construction operations, the grading of roads or the clearing of land.
- (2) Application of asphalt, oil, water or suitable chemicals on dirt roads, materials stockpiles and other surfaces which may give rise to airborne dusts.
- (3) Paving and maintenance of roadways.
- (4) Prompt removal of earth or other material from paved streets onto which earth or other material has been transported by trucking or earth moving equipment, erosion by water, or other means.

**# 016 [25 Pa. Code §127.444]****Compliance requirements.**

The permittee shall operate and maintain the emission sources and air cleaning devices referenced in this permit in accordance with the manufacturer's general recommendations and good air pollution control practices.

**VII. ADDITIONAL REQUIREMENTS.**

No additional requirements exist except as provided in other sections of this permit including Section B (State Only General Requirements).

**VIII. COMPLIANCE CERTIFICATION.**

No additional compliance certifications exist except as provided in other sections of this permit including Section B (relating to State Only General Requirements).

**IX. COMPLIANCE SCHEDULE.**

No compliance milestones exist.

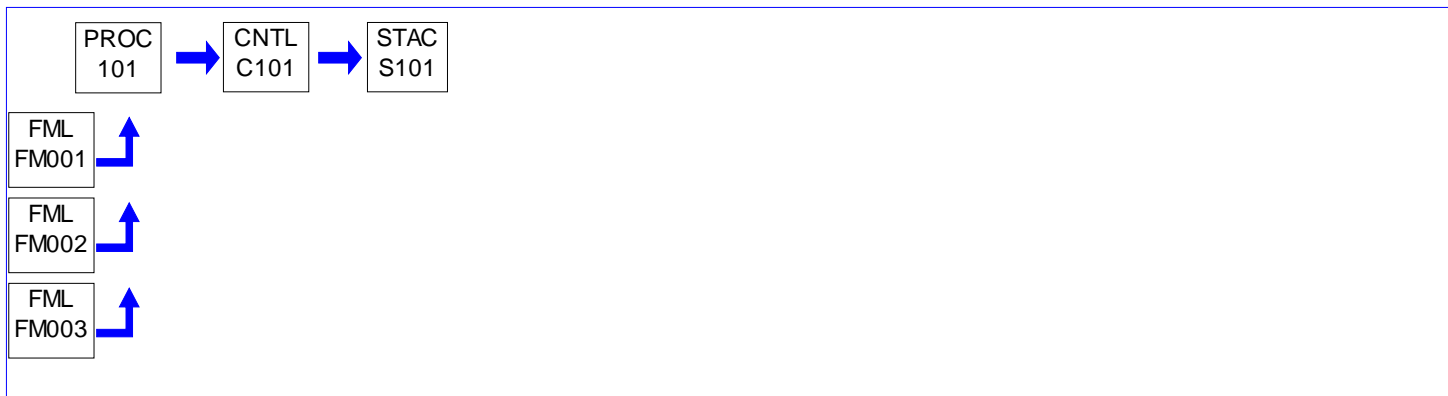
**SECTION D. Source Level Requirements**

Source ID: 101

Source Name: ASPHALT PLANT W/RAP&amp;SHINGLE HANDLING

Source Capacity/Throughput: 480.000 Tons/HR ASPHALT

Conditions for this source occur in the following groups: 001 NSPS SUBPART I

**I. RESTRICTIONS.****Emission Restriction(s).****# 001 [25 Pa. Code §123.21]****General**

Sulfur oxides emissions, expressed as sulfur dioxide, from the Source ID 101 asphalt plant shall not exceed an exhaust gas concentration of 500 parts per million, by volume, dry basis.

**# 002 [25 Pa. Code §127.441]****Operating permit terms and conditions.**

Particulate matter emissions from the Source ID C101 fabric filter associated with the Source ID 101 asphalt plant shall not exceed a concentration of 0.02 grains per dry standard cubic foot of effluent gas.

**Fuel Restriction(s).****# 003 [25 Pa. Code §127.441]****Operating permit terms and conditions.**

The sulfur content of the fuel oil fired in the Source ID 101 asphalt plant shall not exceed 0.5 percent by weight for all fuel oil grades.

**# 004 [25 Pa. Code §127.441]****Operating permit terms and conditions.**

Fuel oil fired in the Source ID 101 asphalt plant which contains waste derived liquid fuel (WDLF) shall meet the following specifications:

1. Contaminant Limits: The permittee shall not accept at the facility any WDLF which is represented by the oil supplier as failing to meet the following standards, or for which the facility does not have documentation from the waste oil supplier regarding the following standards:

Constituent/Property	Limitation Level	EPA Method*
Arsenic	less than or equal to 5 ppmw	6010, 6020, 7010, 7061 or 7062
Cadmium	less than or equal to 2 ppmw	6010, 6020, 7000 or 7010
Chromium	less than or equal to 10 ppmw	6010, 7000 or 7010
Lead	less than or equal to 100 mg/kg	6010, 7000 or 7010
Total Halides (TX)	less than or equal to 1,000 ppmw	9075, 9076 or 9077
PCB	not detectable **	8082
Flash Point	greater than or equal to 100 degrees F.	1010 or ASTM D93

**SECTION D. Source Level Requirements**

\* Alternative methods may be used when approved in writing by the Department.

\*\* PCBs shall not be present in a quantifiable level, defined in 40 CFR 761.1 as 2 micrograms per gram from any resolvable gas chromatographic peak, i.e. 2 mg/kg.

2. TX Screening: Prior to accepting each shipment of WDLF delivered to the facility, the permittee shall test each shipment for total halides using EPA Reference Method 9077, or an alternate test method if approved in writing by the Department. If the test of any shipment reveals total halides in excess of 1,000 ppmw, then the permittee shall refuse to accept the shipment. Vendor guarantee or recent test data from WDLF suppliers shall be sufficient to show compliance with this standard. The permittee shall keep records of the results of sampling required by this condition for at least three years.

3. Taking and Retaining Samples: The permittee shall take and retain a sample of each shipment of WDLF that is delivered to the facility. The samples shall be retained on-site for one year and shall be made available to the Department upon request. The samples are to be sealed and identified with the identity of the oil supplier, the date of delivery, the delivery invoice number and the total gallons of WDLF in the shipment.

4. PCB/Metals/TX/Flash Point Auditing: For at least 1 out of every 15 shipments of WDLF received at the facility, the permittee shall take an additional sample for the purpose of conducting a complete analysis for all the constituents/properties listed in 1. above. The permittee shall use test methods specified in 1., above, unless an alternate test method has been approved in writing by the Department. The permittee may accept the WDLF that is the subject of such analysis and may use WDLF from any tank to which such oil has been added, for up to 15 days from the date of delivery of the relevant shipment, pending receipt of the analysis results. If the analysis results show exceedences of any of the limits listed in 1., above, then the permittee shall cease using the WDLF from the tank(s) in which the relevant shipment was placed, and shall not resume using WDLF from the tank(s) until either:

(a) the Department has granted written approval to resume use of the WDLF based on an alternate demonstration of acceptability of the WDLF in the tank(s) for use as fuel at the facility, or

(b) the WDLF remaining in the tank(s) has been re-sampled and

i. if the re-sample meets the limits in 1., above, the Department has granted written permission to resume using the WDLF, or

ii. if the re-sample fails to meet the limits in 1., above, the Department has granted written permission to resume using the tank(s) after the permittee has emptied the WDLF from the tank(s) and has made proper disposal arrangements.

The permittee shall cease using the WDLF from such tank(s) not later than 2 hours after making the original determination, or having had reasonable opportunity to make the determination that off-specification WDLF was placed in the tanks. The permittee shall keep records of the results of sampling required by this condition for at least three years.

Upon successful demonstration for each supplier of their accuracy in ensuring delivery of on-specification WDLF fuel for eight (8) consecutive samples, the auditing frequency may be decreased by the Department. The auditing frequencies shall be determined for each individual supplier on a case-by-case basis depending on recorded compliance history and margin of compliance. The records of sample analysis results shall be kept at the facility for a period of three (3) years and shall be made available to the Department upon request.

5. Department Sampling: If the analysis results from any random tank sampling conducted by the Department show exceedences of any of the limits listed in 1., above, then the permittee shall cease using the WDLF from the affected tank(s) and shall not resume using oil from the tank(s) until either

a. the Department has granted written approval to resume use of the WDLF based on an alternate demonstration of compliance for the original sample, or

b. the Department has granted written permission to resume placing WDLF in the tank(s) after the permittee has emptied the off-specification WDLF from the tank(s) and has made proper disposal arrangements.

The permittee shall cease using the WDLF from such tank(s) not later than 2 hours after receiving notification from the

**SECTION D. Source Level Requirements**

Department of the exceedence.

6. Limitations: This permit shall not be construed to authorize the permittee to transport, treat, process or refine waste oil, or to blend off-specification waste oil with other oil for the purpose of producing an on-specification mixture.

**Throughput Restriction(s).**

**# 005 [25 Pa. Code §127.441]**

**Operating permit terms and conditions.**

The total annual hot mix asphalt throughput shall not exceed 490,000 tons in any consecutive 12-month period.

**II. TESTING REQUIREMENTS.**

No additional testing requirements exist except as provided in other sections of this permit including Section B (State Only General Requirements) and/or Section E (Source Group Restrictions).

**III. MONITORING REQUIREMENTS.**

**# 006 [25 Pa. Code §127.441]**

**Operating permit terms and conditions.**

The permittee shall maintain permanent instrumentation to measure pressure drop across the Source ID C101 fabric filter.

**IV. RECORDKEEPING REQUIREMENTS.**

**# 007 [25 Pa. Code §127.441]**

**Operating permit terms and conditions.**

The permittee shall maintain the following monthly records for the Source ID 101 asphalt plant:

- a. tons of asphalt produced
- b. fuel type and usage
- c. liquid asphalt cement usage
- d. recycled asphalt pavement usage

The permittee shall maintain these records on-site for the most recent five-year period and make them available to Department representatives upon request.

**V. REPORTING REQUIREMENTS.**

No additional reporting requirements exist except as provided in other sections of this permit including Section B (State Only General Requirements) and/or Section E (Source Group Restrictions).

**VI. WORK PRACTICE REQUIREMENTS.**

No additional work practice requirements exist except as provided in other sections of this permit including Section B (State Only General Requirements) and/or Section E (Source Group Restrictions).

**VII. ADDITIONAL REQUIREMENTS.**

No additional requirements exist except as provided in other sections of this permit including Section B (State Only General Requirements) and/or Section E (Source Group Restrictions).

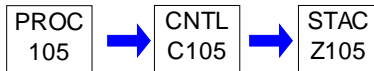
**SECTION D. Source Level Requirements**

Source ID: 105

Source Name: PORTABLE NONMETALLIC MINERAL PROCESSING PLANT

Source Capacity/Throughput: 500.000 Tons/HR AGGREGATE

Conditions for this source occur in the following groups: 002

**I. RESTRICTIONS.****Emission Restriction(s).****# 001 [25 Pa. Code §127.441]****Operating permit terms and conditions.**

The operation of the portable nonmetallic mineral processing plant shall not at any time result in the emission of fugitive air contaminants in excess of the limitations specified in 25 Pa. Code §§ 123.1 and 123.2. All reasonable actions shall be taken to prevent particulate matter from becoming airborne. These actions include, but are not limited to, the proper installation of a water spray dust suppression system and operation in accordance with Condition 002.

**II. TESTING REQUIREMENTS.**

No additional testing requirements exist except as provided in other sections of this permit including Section B (State Only General Requirements) and/or Section E (Source Group Restrictions).

**III. MONITORING REQUIREMENTS.**

No additional monitoring requirements exist except as provided in other sections of this permit including Section B (State Only General Requirements) and/or Section E (Source Group Restrictions).

**IV. RECORDKEEPING REQUIREMENTS.**

No additional record keeping requirements exist except as provided in other sections of this permit including Section B (State Only General Requirements) and/or Section E (Source Group Restrictions).

**V. REPORTING REQUIREMENTS.**

No additional reporting requirements exist except as provided in other sections of this permit including Section B (State Only General Requirements) and/or Section E (Source Group Restrictions).

**VI. WORK PRACTICE REQUIREMENTS.****# 002 [25 Pa. Code §127.441]****Operating permit terms and conditions.**

Water spray dust suppression systems on portable nonmetallic mineral processing plants shall be operated on any and all occasions that the respective plant is operated. Operation without simultaneous operation of the water spray dust suppression system can take place only in those unusual instances where processed materials contain sufficient moisture so as not to create air contaminant emissions in excess of the limitations and standards of this General Permit. If, however, the water spray dust suppression system is incapable of operation due to weather conditions or any other reason, the permittee may not operate the plant. A pressure gauge will be installed to indicate a normal operation of the dust suppression system.

**SECTION D. Source Level Requirements****# 003 [25 Pa. Code §127.441]****Operating permit terms and conditions.**

The permittee shall keep on hand such equipment and materials as are necessary to take reasonable action (including, but not limited to the application of water, oil or chemicals) to prevent fugitive particulate matter resulting from the use of any roadways and/or material stockpiling operations associated with the plant from becoming airborne and shall be used, as necessary, to prevent such fugitive particulate matter from becoming airborne.

**VII. ADDITIONAL REQUIREMENTS.****# 004 [25 Pa. Code §127.441]****Operating permit terms and conditions.**

Wherever a conflict occurs between this operating permit and any of the regulations listed below, the permittee shall, in all cases, meet the more stringent requirement:

- a. 25 Pa. Code §§ 123.1, 123.2, 123.13(c), and 123.41.
- b. 40 CFR 60, Subpart OOO.

**SECTION E. Source Group Restrictions.**

Group Name: 001 NSPS SUBPART I

Group Description: Standards of Performance for Hot Mix Asphalt Facilities

Sources included in this group

ID	Name
101	ASPHALT PLANT W/RAP&SHINGLE HANDLING
C101	ASPHALT PLANT FABRIC FILTER

**I. RESTRICTIONS.****Emission Restriction(s).****# 001 [40 CFR Part 60 Standards of Performance for New Stationary Sources §40 CFR 60.92]****Subpart I - Standards of Performance for Hot Mix Asphalt Facilities****Standard for particulate matter.**

[THE DEPARTMENT'S BAT OF 0.02 GR/DSCF PARTICULATE MATTER IS MORE STRINGENT AND SUPERCEDES SECTION (a)(1)]

(a) On and after the date on which the performance test required to be conducted by 60.8 is completed, no owner or operator subject to the provisions of this subpart shall discharge or cause the discharge into the atmosphere from any affected facility any gases which:

- (1) Contain particulate matter in excess of 90 mg/dscm (0.04 gr/dscf).
- (2) Exhibit 20 percent opacity, or greater.

**II. TESTING REQUIREMENTS.****# 002 [40 CFR Part 60 Standards of Performance for New Stationary Sources §40 CFR 60.93]****Subpart I - Standards of Performance for Hot Mix Asphalt Facilities****Test methods and procedures.**

(a) - (b) NOT APPLICABLE - INITIAL PERFORMANCE TEST HAS BEEN COMPLETED

**III. MONITORING REQUIREMENTS.**

No additional monitoring requirements exist except as provided in other sections of this permit including Section B (State Only General Requirements).

**IV. RECORDKEEPING REQUIREMENTS.**

No additional record keeping requirements exist except as provided in other sections of this permit including Section B (State Only General Requirements).

**V. REPORTING REQUIREMENTS.**

No additional reporting requirements exist except as provided in other sections of this permit including Section B (State Only General Requirements).

**VI. WORK PRACTICE REQUIREMENTS.**

No additional work practice requirements exist except as provided in other sections of this permit including Section B (State Only General Requirements).

**VII. ADDITIONAL REQUIREMENTS.****# 003 [25 Pa. Code §127.441]****Operating permit terms and conditions.**

The Source ID 101 batch asphalt plant is subject to 40 CFR Part 60, Subpart I - Standards of Performance for Hot Mix Asphalt Facilities and shall comply with all applicable requirements of the Subpart. 40 CFR Part 60, Section 60.4 requires submission of copies of all requests, reports, and other communications to both the Department and the U.S.

**SECTION E. Source Group Restrictions.**

Environmental Protection Agency (U.S. EPA). The U.S. EPA copies shall be forwarded to:

Director  
 United States Environmental Protection Agency  
 Region III, Air and Radiation Division  
 Permits Branch (3AD10)  
 Four Penn Center  
 1600 John F. Kennedy Boulevard  
 Philadelphia, Pennsylvania 19103-2852

Unless otherwise approved by DEP, the DEP copies shall be reported through the Department's Greenport PUP system available through:

<https://greenport.pa.gov/ePermitPublicAccess/PublicSubmission/Home>

In the event that Subpart I is revised, the permittee shall comply with the revised version of Subpart I, and shall not be required to comply with any provisions in this permit designated as having Subpart I as their authority, to the extent that such permit provisions would be inconsistent with the applicable provisions of the revised Subpart I.

**# 004 [40 CFR Part 60 Standards of Performance for New Stationary Sources §40 CFR 60.90]**

**Subpart I - Standards of Performance for Hot Mix Asphalt Facilities  
 Applicability and designation of affected facility.**

(a) The affected facility to which the provisions of this subpart apply is each hot mix asphalt facility. For the purpose of this subpart, a hot mix asphalt facility is comprised only of any combination of the following: dryers; systems for screening, handling, storing, and weighing hot aggregate; systems for loading, transferring, and storing mineral filler, systems for mixing hot mix asphalt; and the loading, transfer, and storage systems associated with emission control systems.

(b) Any facility under paragraph (a) of this section that commences construction or modification after June 11, 1973, is subject to the requirements of this subpart.

**# 005 [40 CFR Part 60 Standards of Performance for New Stationary Sources §40 CFR 60.91]**

**Subpart I - Standards of Performance for Hot Mix Asphalt Facilities  
 Definitions.**

As used in this subpart, all terms not defined herein shall have the meaning given them in the Act and in Subpart A of this part.

Hot mix asphalt facility means any facility, as described in 60.90, used to manufacture hot mix asphalt by heating and drying aggregate and mixing with asphalt cements.



**SECTION E. Source Group Restrictions.**

Group Name: 002

Group Description: 40 CFR Part 60, Subpart OOO Requirements

Sources included in this group

ID	Name
105	PORTABLE NONMETALLIC MINERAL PROCESSING PLANT

**I. RESTRICTIONS.****Emission Restriction(s).****# 001 [40 CFR Part 60 Standards of Performance for New Stationary Sources §40 CFR 60.670]****Subpart OOO - Standards of Performance for Nonmetallic Mineral Processing Plants****Applicability and designation of affected facility.**

§ 60.670 Applicability and designation of affected facility.

(a)(1) Except as provided in paragraphs (a)(2), (b), (c), and (d) of this section, the provisions of this subpart are applicable to the following affected facilities in fixed or portable nonmetallic mineral processing plants: each crusher, grinding mill, screening operation, bucket elevator, belt conveyor, bagging operation, storage bin, enclosed truck or railcar loading station. Also, crushers and grinding mills at hot mix asphalt facilities that reduce the size of nonmetallic minerals embedded in recycled asphalt pavement and subsequent affected facilities up to, but not including, the first storage silo or bin are subject to the provisions of this subpart.

(2) The provisions of this subpart do not apply to the following operations: All facilities located in underground mines; plants without crushers or grinding mills above ground; and wet material processing operations (as defined in § 60.671).

(b) [NA – NOT EXEMPT DUE TO SUBPART F/I APPLICABILITY]

(c) [LISTED EXEMPTIONS DO NOT APPLY]

(d)(1) When an existing facility is replaced by a piece of equipment of equal or smaller size, as defined in § 60.671, having the same function as the existing facility, and there is no increase in the amount of emissions, the new facility is exempt from the provisions of §§ 60.672, 60.674, and 60.675 except as provided for in paragraph (d)(3) of this section.

(2) An owner or operator complying with paragraph (d)(1) of this section shall submit the information required in § 60.676(a).

(3) An owner or operator replacing all existing facilities in a production line with new facilities does not qualify for the exemption described in paragraph (d)(1) of this section and must comply with the provisions of §§ 60.672, 60.674 and 60.675.

(e) An affected facility under paragraph (a) of this section that commences construction, modification, or reconstruction after August 31, 1983, is subject to the requirements of this part.

(f) Table 1 of this subpart specifies the provisions of subpart A of this part 60 that do not apply to owners and operators of affected facilities subject to this subpart or that apply with certain exceptions.

§ 60.672 Standard for particulate matter (PM).

(a) [NA – NO CAPTURE/CONTROL DEVICE SYSTEMS]

(b) Affected facilities must meet the fugitive emission limits and compliance requirements in Table 3 of this subpart within 60 days after achieving the maximum production rate at which the affected facility will be operated, but not later than 180 days after initial startup as required under § 60.11. The requirements in Table 3 of this subpart apply for fugitive emissions from affected facilities without capture systems and for fugitive emissions escaping capture systems.

TABLE 3 REQUIREMENTS:

**SECTION E. Source Group Restrictions.**

For affected facilities (as defined in §§ 60.670 and 60.671) that commenced construction, modification, or reconstruction after August 31, 1983 but before April 22, 2008, the owner or operator must meet the following fugitive emissions limit for grinding mills, screening operations, bucket elevators, transfer points on belt conveyors, bagging operations, storage bins, enclosed truck or railcar loading stations or from any other affected facility (as defined in §§ 60.670 and 60.671): 10 percent opacity. The owner or operator must meet the following fugitive emissions limit for crushers at which a capture system is not used: 15 percent opacity. The owner or operator must demonstrate compliance with these limits by conducting an initial performance test according to § 60.11 of this part and § 60.675 of this subpart.

END OF TABLE 3 REQUIREMENTS:

(c) [Reserved]

(d) Truck dumping of nonmetallic minerals into any screening operation, feed hopper, or crusher is exempt from the requirements of this section.

(e) [NA - NO TRANSFER POINTS ENCLOSED IN BUILDING]

(f) [NA - NO CAPTURE/CONTROL DEVICE SYSTEMS]

§ 60.673 Reconstruction.

(a) The cost of replacement of ore-contact surfaces on processing equipment shall not be considered in calculating either the "fixed capital cost of the new components" or the "fixed capital cost that would be required to construct a comparable new facility" under § 60.15. Ore-contact surfaces are crushing surfaces; screen meshes, bars, and plates; conveyor belts; and elevator buckets.

(b) Under § 60.15, the "fixed capital cost of the new components" includes the fixed capital cost of all depreciable components (except components specified in paragraph (a) of this section) which are or will be replaced pursuant to all continuous programs of component replacement commenced within any 2-year period following August 31, 1983.

§ 60.674 Monitoring of operations.

(a) [NA - WET SCRUBBER NOT USED]

(b) [NA - SOURCES ARE PRE-4/22/08]

(c) [NA - SOURCES ARE PRE-4/22/08]

(d) [NA - SOURCES ARE PRE-4/22/08]

(e) [NA - SOURCES ARE PRE-4/22/08]

§ 60.675 Test methods and procedures.

(a) In conducting the performance tests required in § 60.8, the owner or operator shall use as reference methods and procedures the test methods in appendices A-1 through A-7 of this part or other methods and procedures as specified in this section, except as provided in § 60.8(b). Acceptable alternative methods and procedures are given in paragraph (e) of this section.

(b) [NA - NOT SUBJECT TO 60.672(a)]

(c)(1) In determining compliance with the particulate matter standards in § 60.672(b) or § 60.672(e)(1), the owner or operator shall use Method 9 of Appendix A-4 of this part and the procedures in § 60.11, with the following additions:

(i) The minimum distance between the observer and the emission source shall be 4.57 meters (15 feet).

(ii) The observer shall, when possible, select a position that minimizes interference from other fugitive emission sources (

**SECTION E. Source Group Restrictions.**

e.g., road dust). The required observer position relative to the sun (Method 9 of Appendix A-4 of this part, Section 2.1) must be followed.

(iii) For affected facilities using wet dust suppression for particulate matter control, a visible mist is sometimes generated by the spray. The water mist must not be confused with particulate matter emissions and is not to be considered a visible emission. When a water mist of this nature is present, the observation of emissions is to be made at a point in the plume where the mist is no longer visible.

(2) [NA – NO CAPTURE/CONTROL DEVICE SYSTEMS]

(3) When determining compliance with the fugitive emissions standard for any affected facility described under § 60.672(b) or § 60.672(e)(1) of this subpart, the duration of the Method 9 (40 CFR part 60, Appendix A-4) observations must be 30 minutes (five 6-minute averages). Compliance with the applicable fugitive emission limits in Table 3 of this subpart must be based on the average of the five 6-minute averages.

(d) [NA - NO TRANSFER POINTS ENCLOSED IN BUILDING]

(e) The owner or operator may use the following as alternatives to the reference methods and procedures specified in this section:

(1) For the method and procedure of paragraph (c) of this section, if emissions from two or more facilities continuously interfere so that the opacity of fugitive emissions from an individual affected facility cannot be read, either of the following procedures may be used:

(i) Use for the combined emission stream the highest fugitive opacity standard applicable to any of the individual affected facilities contributing to the emissions stream.

(ii) Separate the emissions so that the opacity of emissions from each affected facility can be read.

(2) A single visible emission observer may conduct visible emission observations for up to three fugitive, stack, or vent emission points within a 15-second interval if the following conditions are met:

(i) No more than three emission points may be read concurrently.

(ii) All three emission points must be within a 70 degree viewing sector or angle in front of the observer such that the proper sun position can be maintained for all three points.

(iii) If an opacity reading for any one of the three emission points equals or exceeds the applicable standard, then the observer must stop taking readings for the other two points and continue reading just that single point.

(3) Method 5I of Appendix A-3 of this part may be used to determine the PM concentration as an alternative to the methods specified in paragraph (b)(1) of this section. Method 5I (40 CFR part 60, Appendix A-3) may be useful for affected facilities that operate for less than 1 hour at a time such as (but not limited to) storage bins or enclosed truck or railcar loading stations.

(4) [NA - NO TRANSFER POINTS ENCLOSED IN BUILDING]

(f) [NA - WET SCRUBBER NOT USED]

(g) For performance tests involving only Method 9 (40 CFR part 60 Appendix A-4) testing, the owner or operator may reduce the 30-day advance notification of performance test in § 60.7(a)(6) and 60.8(d) to a 7-day advance notification.

(h) [Reserved]

(i) [NA - INITIAL PERFORMANCE TEST IS IN THE PAST]

§ 60.676 Reporting and recordkeeping.

**SECTION E. Source Group Restrictions.**

(a) Each owner or operator seeking to comply with § 60.670(d) shall submit to the Administrator the following information about the existing facility being replaced and the replacement piece of equipment.

(1) For a crusher, grinding mill, bucket elevator, bagging operation, or enclosed truck or railcar loading station:

(i) The rated capacity in megagrams or tons per hour of the existing facility being replaced and

(ii) The rated capacity in tons per hour of the replacement equipment.

(2) For a screening operation:

(i) The total surface area of the top screen of the existing screening operation being replaced and

(ii) The total surface area of the top screen of the replacement screening operation.

(3) For a conveyor belt:

(i) The width of the existing belt being replaced and

(ii) The width of the replacement conveyor belt.

(4) For a storage bin:

(i) The rated capacity in megagrams or tons of the existing storage bin being replaced and

(ii) The rated capacity in megagrams or tons of replacement storage bins.

(b) [NA - SOURCES ARE PRE-4/22/08]

(c) [NA - WET SCRUBBER NOT USED]

(d) [NA - WET SCRUBBER NOT USED]

(e) [NA - BECAUSE (d) DOES NOT APPLY]

(f) The owner or operator of any affected facility shall submit written reports of the results of all performance tests conducted to demonstrate compliance with the standards set forth in § 60.672 of this subpart, including reports of opacity observations made using Method 9 (40 CFR part 60, Appendix A-4) to demonstrate compliance with § 60.672(b), (e) and (f).

(g) The owner or operator of any wet material processing operation that processes saturated and subsequently processes unsaturated materials, shall submit a report of this change within 30 days following such change. At the time of such change, this screening operation, bucket elevator, or belt conveyor becomes subject to the applicable opacity limit in § 60.672(b) and the emission test requirements of § 60.11.

(h) The subpart A requirement under § 60.7(a)(1) for notification of the date construction or reconstruction commenced is waived for affected facilities under this subpart.

(i) A notification of the actual date of initial startup of each affected facility shall be submitted to the Administrator.

(1) For a combination of affected facilities in a production line that begin actual initial startup on the same day, a single notification of startup may be submitted by the owner or operator to the Administrator. The notification shall be postmarked within 15 days after such date and shall include a description of each affected facility, equipment manufacturer, and serial number of the equipment, if available.

(2) For portable aggregate processing plants, the notification of the actual date of initial startup shall include both the home office and the current address or location of the portable plant.

**SECTION E. Source Group Restrictions.**

(j) The requirements of this section remain in force until and unless the Agency, in delegating enforcement authority to a State under section 111(c) of the Act, approves reporting requirements or an alternative means of compliance surveillance adopted by such States. In that event, affected facilities within the State will be relieved of the obligation to comply with the reporting requirements of this section, provided that they comply with requirements established by the State.

(k) Notifications and reports required under this subpart and under subpart A of this part to demonstrate compliance with this subpart need only to be sent to the EPA Region or the State which has been delegated authority according to § 60.4(b).

**Regulatory Changes**

Individual sources within this source group that are subject to 40 CFR Part 60 Subpart OOO shall comply with all applicable requirements of the Subpart. 40 CFR 60.4 requires submission of copies of all requests, reports and other communications to both the Department and the EPA. The EPA copies shall be forwarded to:

Director  
United States Environmental Protection Agency  
Region III, Air and Radiation Division  
Permits Branch (3AD10)  
Four Penn Center  
1600 John F. Kennedy Boulevard  
Philadelphia, Pennsylvania 19103-2852

Unless otherwise approved by DEP, the DEP copies shall be reported through the Department's Greenport PUP system available through:

<https://greenport.pa.gov/ePermitPublicAccess/PublicSubmission/Home>

In the event that the Federal Subpart that is the subject of this Source Group is revised, the permittee shall comply with the revised version of the subpart, and shall not be required to comply with any provisions in this permit designated as having the subpart as their authority, to the extent that such permit provisions would be inconsistent with the applicable provisions of the revised subpart.

**II. TESTING REQUIREMENTS.**

No additional testing requirements exist except as provided in other sections of this permit including Section B (State Only General Requirements).

**III. MONITORING REQUIREMENTS.**

No additional monitoring requirements exist except as provided in other sections of this permit including Section B (State Only General Requirements).

**IV. RECORDKEEPING REQUIREMENTS.**

No additional record keeping requirements exist except as provided in other sections of this permit including Section B (State Only General Requirements).

**V. REPORTING REQUIREMENTS.**

No additional reporting requirements exist except as provided in other sections of this permit including Section B (State Only General Requirements).

**VI. WORK PRACTICE REQUIREMENTS.**

No additional work practice requirements exist except as provided in other sections of this permit including Section B (State Only General Requirements).

**SECTION E. Source Group Restrictions.****VII. ADDITIONAL REQUIREMENTS.**

No additional requirements exist except as provided in other sections of this permit including Section B (State Only General Requirements).



**SECTION F. Alternative Operation Requirements.**

No Alternative Operations exist for this State Only facility.



**SECTION G. Emission Restriction Summary.**

No emission restrictions listed in this section of the permit.



**SECTION H. Miscellaneous.**

This operating permit supersedes the previous operating permit for this facility.

The following sources and activities are not subject to any specific work practice standards, testing, monitoring, recordkeeping or reporting requirements:

1. Air conditioning and ventilation systems (includes space heaters and air make-up units)
2. Office equipment (copiers, fax machines, etc.)
3. Janitorial equipment and activities
4. Plant maintenance (painting, welding, woodworking, cleaning, etc.)
5. Mobile sources (trucks, forklifts, snowblowers, etc.)
6. Emergency equipment (generators, lights, pumps, etc. and training)
7. Concrete batch plant



\*\*\*\*\* End of Report \*\*\*\*\*

---